



T-REX *line*

- ★ Safe
- ★ Innovative
- ★ Easy

DESCRIPTION	Unlimited OVERHEAD rail line in ALUMINIUM
CERTIFICATION	EN795:1996 Class D
MAXIMUM USERS	
WEIGHT	2,7 Kg per meter of rail
MATERIAL	Aluminium
LENGTH	Unlimited
ANCHORAGES	Every 3 m / Every 1,5 m if working in suspension
SLIDER	LV945 (Only) 

REGISTERED DESIGN

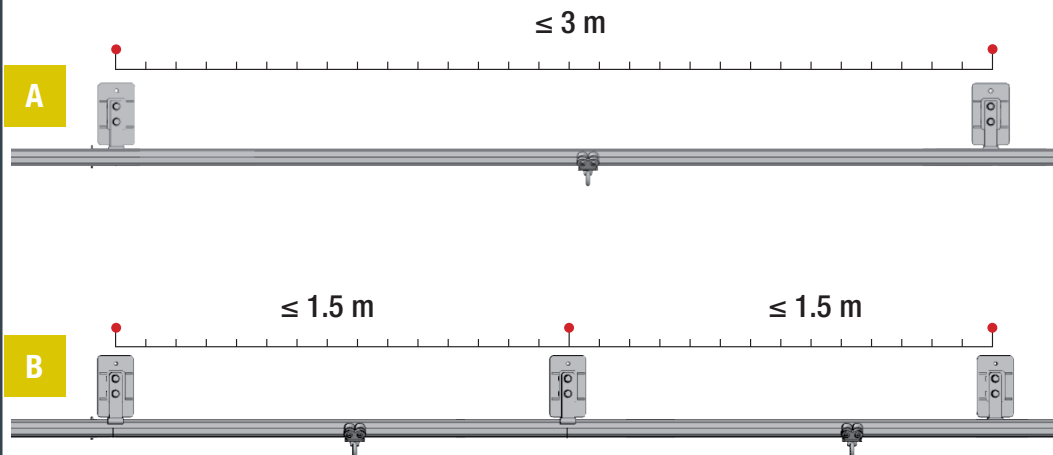
Components



Accessories



Installation



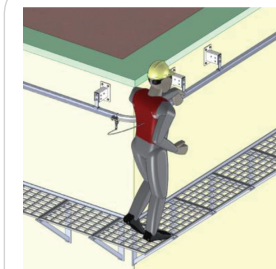
Deflection and Force

T-REX line has a no significant **Deflection**

Force



A Working at height



11 kN 9 kN

B Working on rope access



4,4 kN 9 kN